






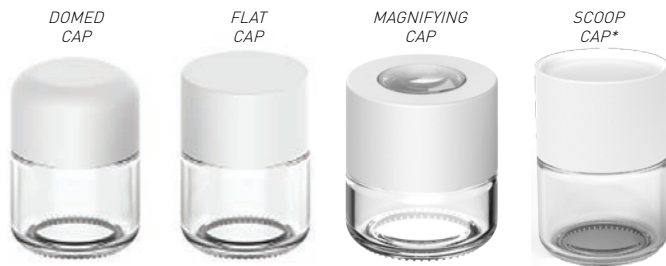
HILINE JAR

- Airtight & FDA Food-Safe
- Smell-Proof & Water-Resistant Design
- High-Quality Materials
- Versatile Storage Solution
- ASTM & CPSC Child-Resistant Compliant*
- Fully Customizable
- 4 Cap Styles
- Terp Seal Liner Technology

-  Dry Herb
-  Edible
-  Solid Concentrate
-  Topical
-  Child Resistant

Tall and slender, the HiLine glass collection is the ideal storage and display solution for dry herb. This original, patented design is engineered to withstand wear and tear. Fully customizable, the HiLine Jars are also a perfect fit for pre rolls, cartridges, edibles, and concentrates.

The high-quality glass and threaded caps are fully customizable; available in a variety of custom colors, finishes, and sizes, the HiLine collection is airtight, smell-proof, and water-resistant to maintain product freshness and integrity. The caps are also available in a rounded, flat, magnifying, or scoop style. The HiLine glass jars are ASTM/CPSC child-resistant compliant and FDA food-safe.

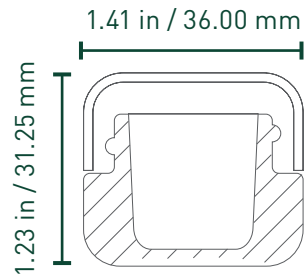


*Details: Child-resistant certification testing is in process for some items, please check with a sales person for up-to-date test results.



PRODUCT SPECIFICATIONS

HILINE JAR



2 DRAM

Volume:

5.00 mL / 0.16 oz / 1.35 dr

Max. Volume:

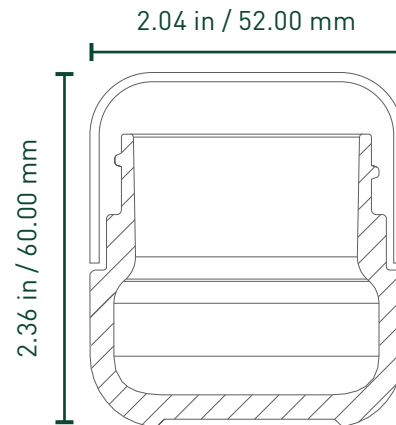
8.00 mL / 0.28 oz / 2.3 dr

Product Weight:

38.90 g / 1.37 oz

Best Use:

5.00 mL Concentrate



13 DRAM

Volume:

27.00 mL / 0.91 oz / 7.30 dr

Max. Volume:

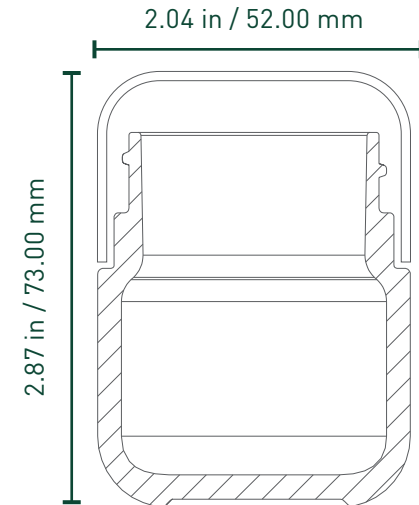
51.50 mL / 1.74 oz / 13.90 dr

Product Weight:

93.16 g / 3.28 oz

Best Use:

2.00 g Dry Herb



20 DRAM

Volume:

50.00 mL / 1.69 oz / 13.50 dr

Max. Volume:

76.50 mL / 2.58 oz / 20.60 dr

Product Weight:

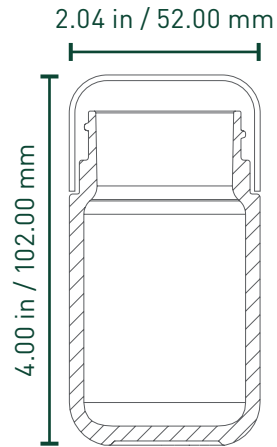
123.50 g / 4.30 oz

Best Use:

3.50 g Dry Herb

PRODUCT SPECIFICATIONS

HILINE JAR



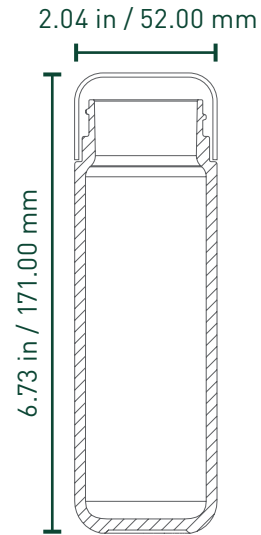
30 DRAM

Volume:
85.00 mL / 2.87 oz / 13.90 dr

Max. Volume:
116.00 mL / 3.90 oz / 31.7 dr

Product Weight:
178.66 g / 6.30 oz

Best Use:
7.00 g Dry Herb



60 DRAM

Volume:
200.00 mL / 6.70 oz / 54.10 dr

Max. Volume:
230.00 mL / 7.70 oz / 62.20 dr

Product Weight:
277.00 g / 9.77 oz

Best Use:
14.00 g Dry Herb