



V2 FLUSH JAR

- Airtight & FDA Food-Safe
- Smell-Proof & Water-Resistant Design
- High-Quality Materials
- Versatile Storage Solution
- ASTM & CPSC Child-Resistant Compliant
- Fully Customizable

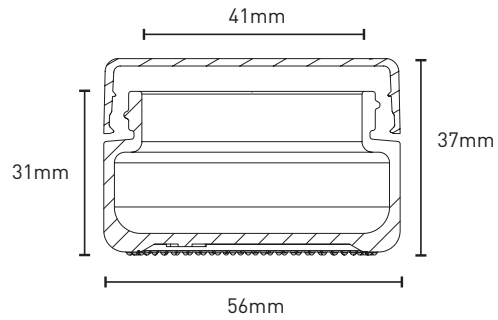
-  Dry Herb
-  Edible
-  Topical
-  Child Resistant

Designed with high-quality, heavy weight glass, the V2 Flush Jar stores dry herb, edibles and topicals securely and secretly. The airtight jar is smell-proof and water-resistant to maintain freshness and increase longevity. The fully customizable jar is available in various sizes, coatings and finishes. The universal lid fits all flush jars.



PRODUCT SPECIFICATIONS

V2 FLUSH JAR



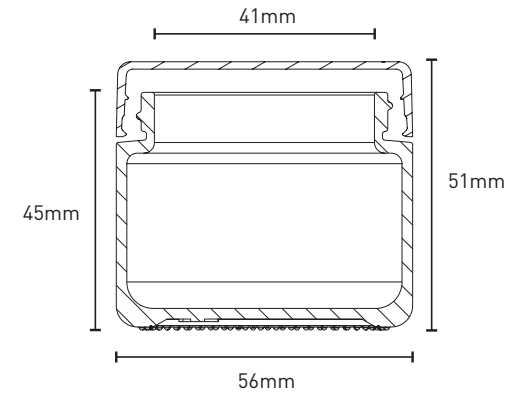
1oz SODA LIME GLASS

Volume:
28 mL

Max. Volume:
43 mL

Product Weight:
50 g

Best For:
1 g Dry Herb



2oz SODA LIME GLASS

Volume:
59 mL

Max. Volume:
74 mL

Product Weight:
65.5 g

Best For:
2 g Dry Herb

V2 FLUSH UNIVERSAL LID WITH PE FOAM LINER

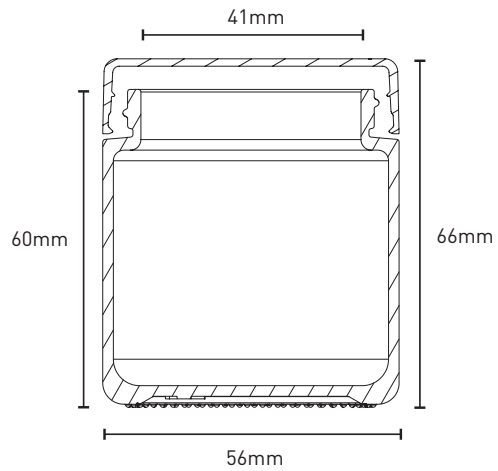
Polypropylene (PP) inner lid, Polypropylene (PP) outer lid, Polyethylene (PE) foam liner

V2 FLUSH UNIVERSAL LID WITH PE FOAM LINER + INDUCTION LINER

Polypropylene (PP) inner lid, Polypropylene (PP) outer lid, Polyethylene (PE) foam liner

PRODUCT SPECIFICATIONS

V2 FLUSH JAR



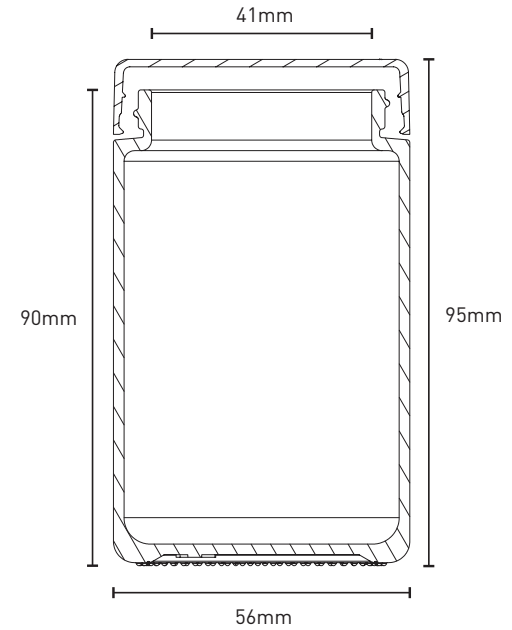
3oz
SODA LIME GLASS

Volume:
85 mL

Max. Volume:
100 mL

Product Weight:
95 g

Best For:
3.5 g Dry Herb



5oz
SODA LIME GLASS

Volume:
144 mL

Max. Volume:
159 mL

Product Weight:
131 g

Best For:
7 g Dry Herb

V2 FLUSH UNIVERSAL LID WITH PE FOAM LINER

Polypropylene (PP) inner lid, Polypropylene (PP) outer lid, Polyethylene (PE) foam liner

V2 FLUSH UNIVERSAL LID WITH PE FOAM LINER + INDUCTION LINER

Polypropylene (PP) inner lid, Polypropylene (PP) outer lid, Polyethylene (PE) foam liner